

ORION®

INSTRUCTION MANUAL

ENGLISH ENG

BOTTLE WARMER & STERILIZER 2 IN 1 MODEL: ORION OB05



Dear customers! Thank you for purchasing ORION products. Before operation, please read this instruction manual. Save it for future reference.

Every day parents make choices to ensure the best for their children. Choosing bottle warmer & sterilizer ORION OB05 – is the best choice! This product is a guarantee of quality and safety for your child! It has been designed to make your life as a parent a little easier. ORION OB05 will easily warm milk and food, sterilize baby bottles and baby accessories. It is easy to use. We guarantee the quality and safety of this product!

SAFETY MEASURES

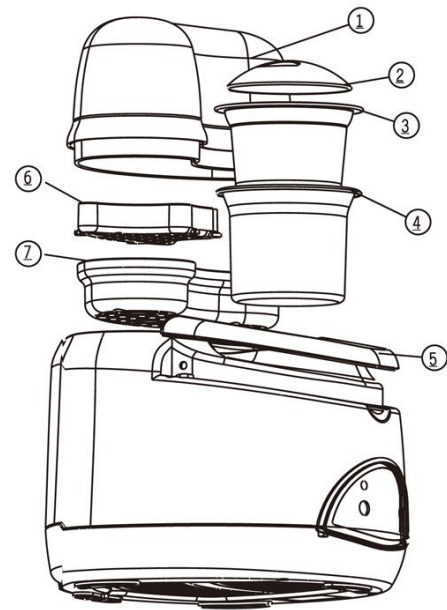
1. Read this instruction manual before using the appliance.
2. Check if the voltage that is indicated on the appliance corresponds to the local mains voltage before you connect the appliance.
3. If the mains cord is damaged, an authorised service centre or similarly qualified persons must replace it in order to avoid a hazard.
4. This device must not be used by children or persons with diminished mental, physical or sensorial capacities, unless said people have received specific assistance or instruction for using the device by a person responsible for their safety who is fully aware of the dangers involved.
5. Check that the device is in perfect working order before every use. The device must not be used if: the power cable appears damaged, the device is visibly damaged, or the device has been dropped, in the event of any of the above, have the device checked by an expert or the customer service.
6. Do not use extension leads.
7. Use the device only for the purposes for which it is intended.
8. Do not expose the appliance to extreme heat or direct sunlight.
9. Never disassemble the appliance to avoid the risk of electric shock.
10. Do not immerse the base, the cord or the plug in water or any other liquid.
11. Always let the appliance cool down before moving or storing it.
12. Always place and use the appliance on a dry, stable, level and horizontal surface.
13. Do not place the appliance on a hot surface or in a heated oven.
14. Keep the appliance out of the reach of children.
15. Do not let the mains cord hang over the edge of the table or worktop on which the appliance stands.
16. Only use baby bottles that have been approved for boiling.
17. Always pour any remaining water out of the appliance after use.
18. Test food on the back of your hand before serving it, to ensure that it is at a safe temperature for your baby.
19. Always unplug the appliance after use.
20. Never place items on top of the appliance when it is in use.
21. Unplug the baby bottle food warmer when not in use.
22. Do not dismantle it by yourself, baby bottle/ food warmer does not contain any user serviceable part inside.
23. Do not heat food continuously; it may destroy the vitamins of the food.
24. Save this instruction manual for future reference.

CHARACTERISTICS

- Quick and safe warming of milk (40°C) and baby food (70°C)
- Sterilizer (100°C)
- For home use
- Designed for 4 bottles
- Modern design
- Convenient, easy to use and safe, easy to clean
- Nominal voltage: ~ AS230V 50Hz
- Nominal power (warmer/sterilizer): 75W/220W
- Nominal current (warmer/sterilizer): 0,33A/0,96A
- Electric shock protection class: I
- Humidity protection degree: IPX0
- Box size: 255*248*225mm
- Net/Gross Weight: 1.43kg/1.87kg
- Product color: white/blue

PARTS

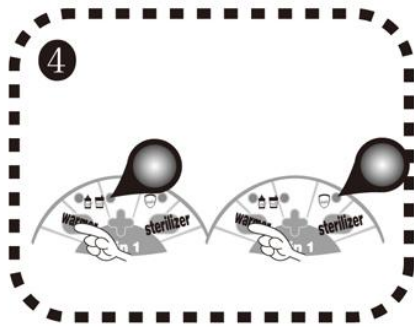
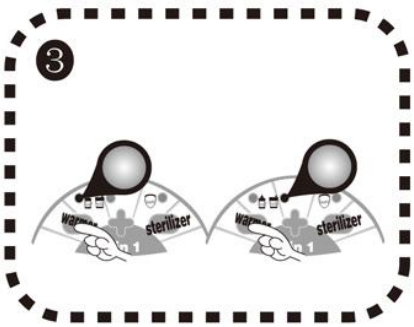
1. Transparent cover
2. Bowl cover
3. Bowl
4. Basket
5. Lifting bail
6. Nipple shelf
7. Bottle shelf



INSTRUCTION FOR USE

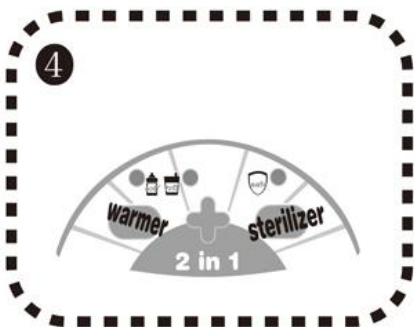
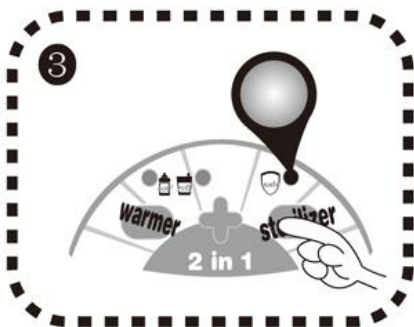
Usage of Heating Milk and Food

1. Put the bottle warmer on flat surface.
2. Put in feeding bottles with appropriate amount of milk (remark: don't heat without any water). (figured as pic. ①)
3. Put pour water into the warmer. (figured as pic. ②)
4. Connect the power supply, press warming button one time, the warmer turns to 40, and the red light shows heating begins, press warming button again, the warmer turns to 70, and the red light shows heating starts. (figured as pic. ③)
5. The milk can be drinkable and the unit turns to heat preservation when the green light turns on. (figured as pic. ④)
6. Please test the temperature before feeding.
7. Turn the device off after using.



Usage of Sterilization

1. Put the bottle warmer on flat surface.
2. Open the cover and pour 40ml-50ml water into the unit. (figured as pic. ①)
3. Put the feeding bottle into the unit. (figured as pic. ②)
4. Connect the powder supply and press the sterilizing button, then red light shows sterilizing. (figured as pic. ③)
5. The indicator turns off when sterilizations is finished. (figured as pic. ④)



Note: please make sure the bottle warmer is clean before use.

CARE AND CLEAN

1. Turn the unit off.
2. Not immerse the unit into water.
3. Please wash the cover, food bowl with soft cloth, sponge or special mundificant.
4. Outer covering & base: wipe them with damp cloth only.

PACKAGE CONTENTS

1. Bottle Warmer & Sterilizer 1pc
2. Instruction manual 1pc
3. Warranty card 1pc

Note: DOES NOT CONTAIN HAZARDOUS SUBSTANCES

Subject to change without notice

Extra information you can find on ORION company web-site www.orion.ua

If you have any questions or suggestions, contact us by E-mail support@orion.ua

Manufacturer: Orion China Ltd., 1733 Lianhua St., apt. 506-509, Shanghai, People's Republic of China, 201103

Made to order: Orion Electronics Ltd. (Hungary)

