

ORION®

INSTRUCTION MANUAL

ENGLISH ENG

BOTTLE WARMER 2 IN 1 MODEL: OB06



Dear customers! Thank you for purchasing ORION products. Before operation, please read this instruction manual. Save it for future reference.

Every day parents make choices to ensure the best for their children. Choosing bottle warmer ORION OB06 – is the best choice! This product is a guarantee of quality and safety for your child! It has been designed to make your life as a parent a little easier. ORION OB06 will easily warm milk and food. It is easy to use. We guarantee the quality and safety of this product!

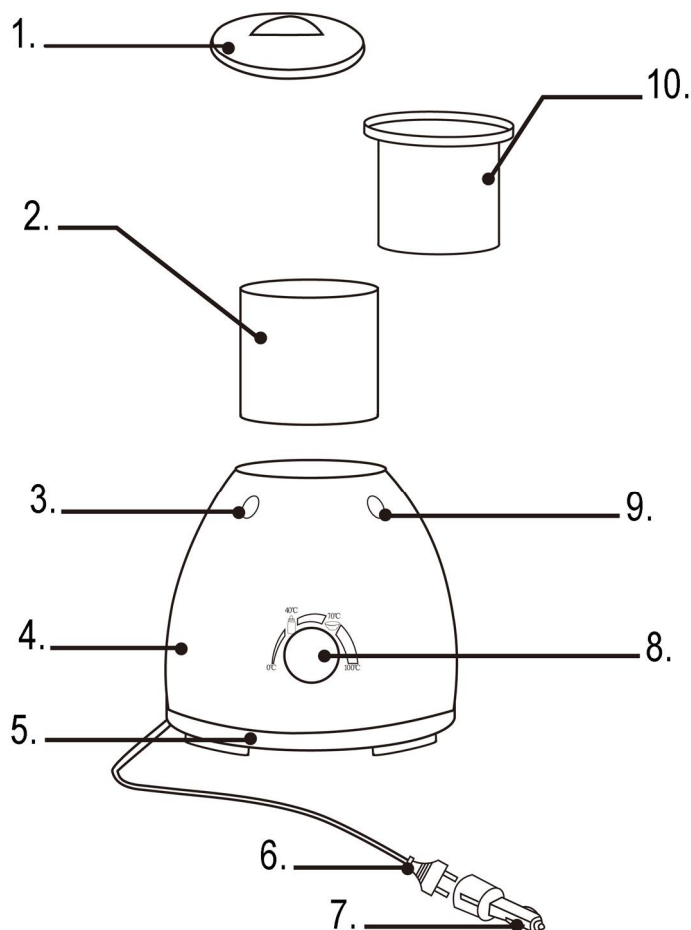
SAFETY MEASURES

1. Read this instruction manual before using the appliance.
2. Check if the voltage that is indicated on the appliance corresponds to the local mains voltage before you connect the appliance.
3. If the mains cord is damaged, an authorised service centre or similarly qualified persons must replace it in order to avoid a hazard.
4. This device must not be used by children or persons with diminished mental, physical or sensorial capacities, unless said persons have received specific assistance or instruction for using the device by a person responsible for their safety who is fully aware of the dangers involved.
5. Check that the device is in perfect working order before every use, The device must not be used if: the power cable appears damaged, the device is visibly damaged, or the device has been dropped, in the event of any of the above, have the device checked by an expert or the customer service.
6. Do not use extension leads.
7. Use the device only for the purposes for which it is intended.
8. Do not expose the appliance to extreme heat or direct sunlight.
9. Never disassemble the appliance to avoid the risk of electric shock.
10. Do not immerse the base, the cord or the plug in water or any other liquid.
11. Always let the appliance cool down before moving or storing it.
12. Always place and use the appliance on a dry, stable, level and horizontal surface.
13. Do not place the appliance on a hot surface or in a heated oven.
14. Keep the appliance out of the reach of children.
15. Do not let the mains cord hang over the edge of the table or worktop on which the appliance stands.
16. Only use baby bottles that have been approved for boiling.
17. Always pour any remaining water out of the appliance after use.
18. Test food on the back of your hand before serving it, to ensure that it is at a safe temperature for your baby.
19. Always unplug the appliance after use.
20. Never place items on top of the appliance when it is in use.
21. Unplug the baby bottle food warmer when not in use.
22. Do not dismantle it by yourself, baby bottle/ food warmer does not contain any user serviceable part inside.
23. Do not heat food continuously; it may destroy the vitamins of the food.
24. Save this instruction manual for future reference.

CHARACTERISTICS

- Quick and safe warming of milk (40°C) and baby food (70°C)
- Sterilization function (100°C)
- Preparation of warm water for drinking
- Can be used at home and in a car
- Designed for 1 bottle
- Modern design
- Convenient, easy to use and safe, easy to clean
- Nominal voltage: ~ AS230V 50Hz/DC12V
- Nominal power: 220W/65W
- Nominal current: 0.96A/5.42A
- Electric shock protection class: II
- Humidity protection degree: IPX0
- Box size: 170*155*147mm
- Net/Gross Weight: 0.7kg/0.83kg
- Product color: white/blue

PARTS



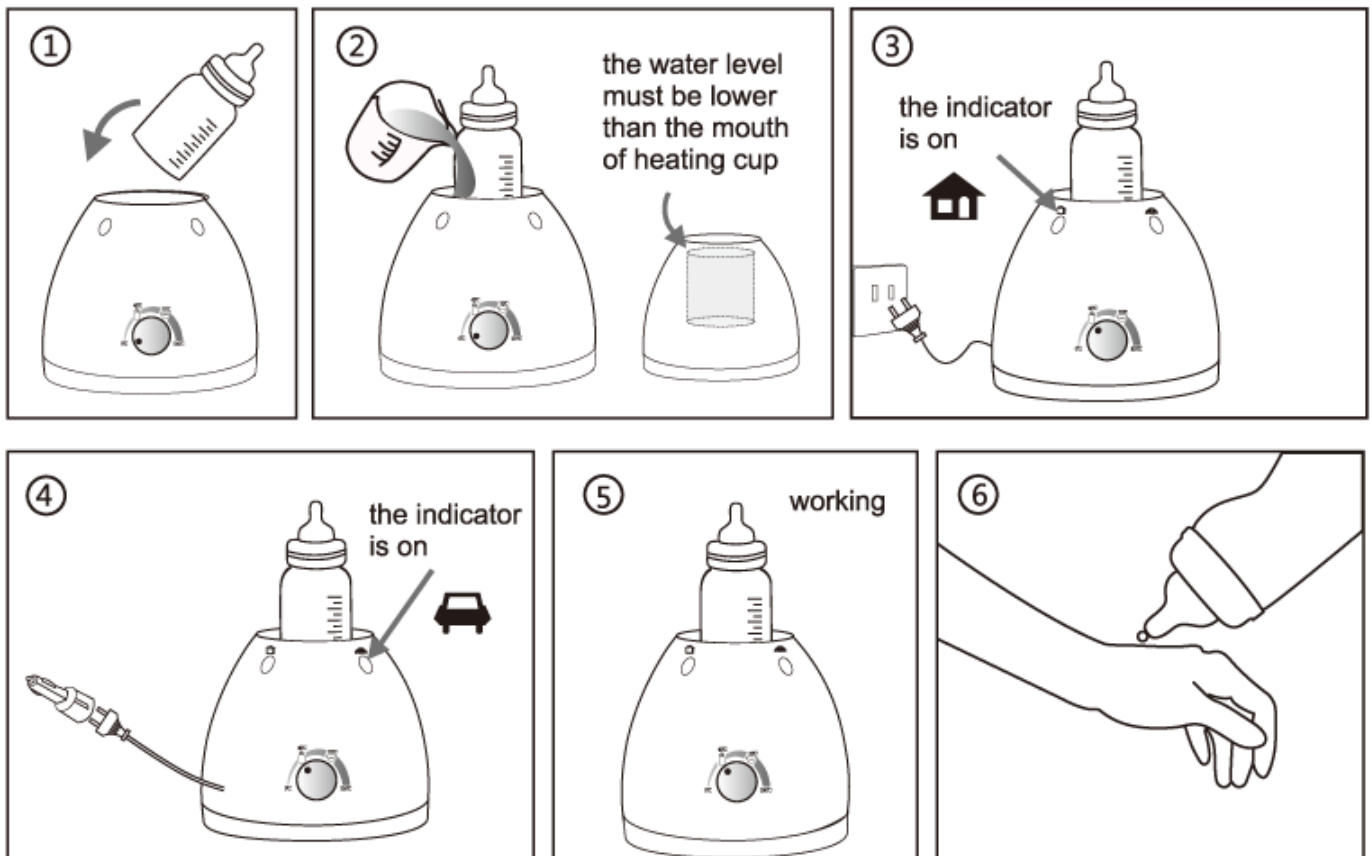
- 1. Bowl cover
- 2. Heating cup
- 3. Home indicator light AC230V
- 4. Outer covering
- 5. Base

- 6. Home power cord AC230V
- 7. Auto power cord
- 8. Switch
- 9. Auto indicator light DC12V
- 10. Food bowl

INSTRUCTION FOR USE

Usage of Heating Milk

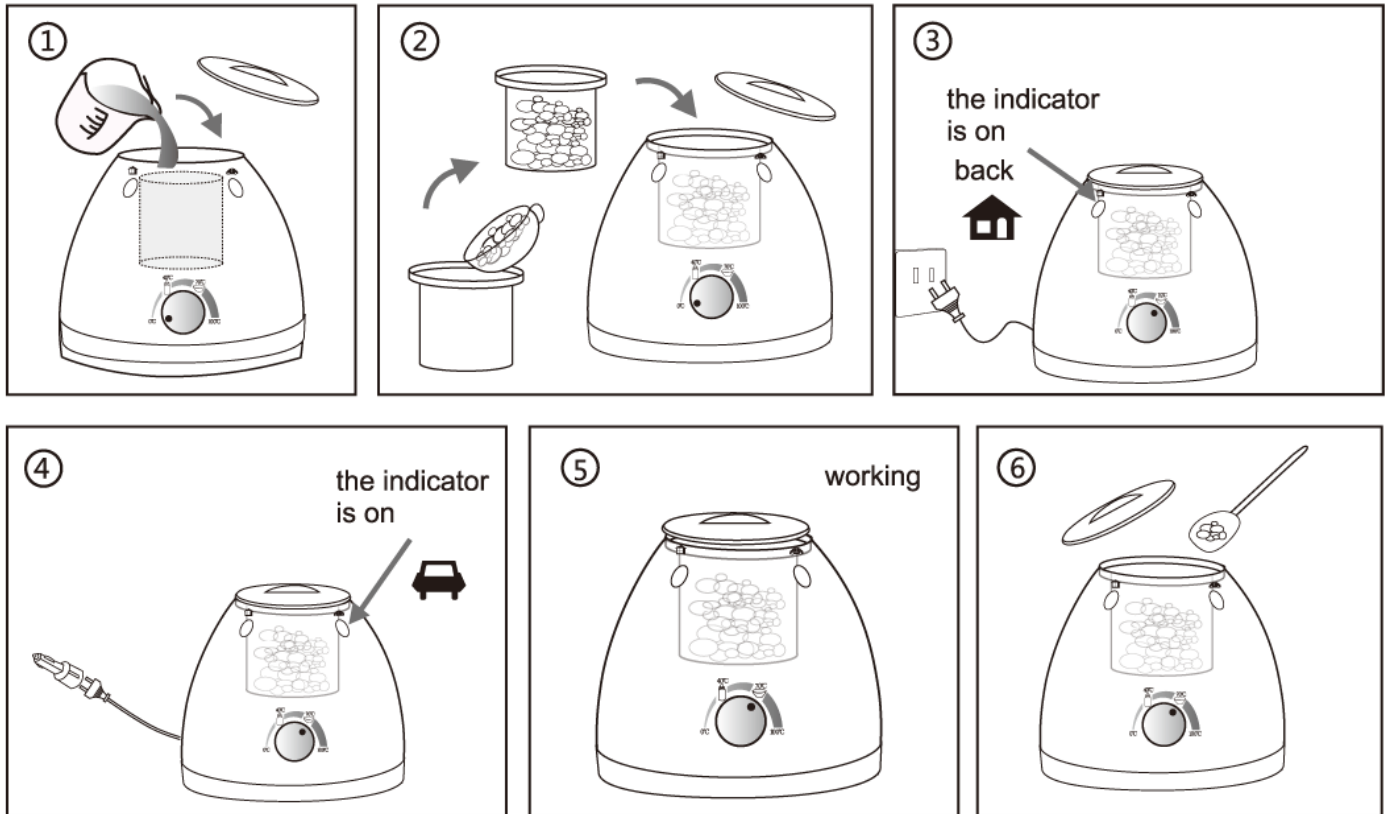
1. Please wash the components for healthy before use.
2. Put the bottle warmer flatly on level, and put in feeding bottles with appropriate amount of milk (remark: don't heat without any water). (figured as pic. ①)
3. Put pour water into the warmer (water must be equal to the liquid in bottle). (figured as pic. ②)
4. When use it in home, connect the power, and turn the switch to 40°C, the home indicator will be turned on and off (normal status). (figured as pic. ③)
5. When use it in car, connect the household plug to the traveler adapter, then connect to the cigarette lighter, then turn the switch to 40°C, the auto indicator will be turned on and off (normal status). (figured as pic. ④)
6. The indicator will be turned on and off 4-5 times during heating and then accessing to keep warm. (figured as pic. ⑤)
7. Please test the temperature before feeding. (figured as pic. ⑥)



Usage of Heating Food

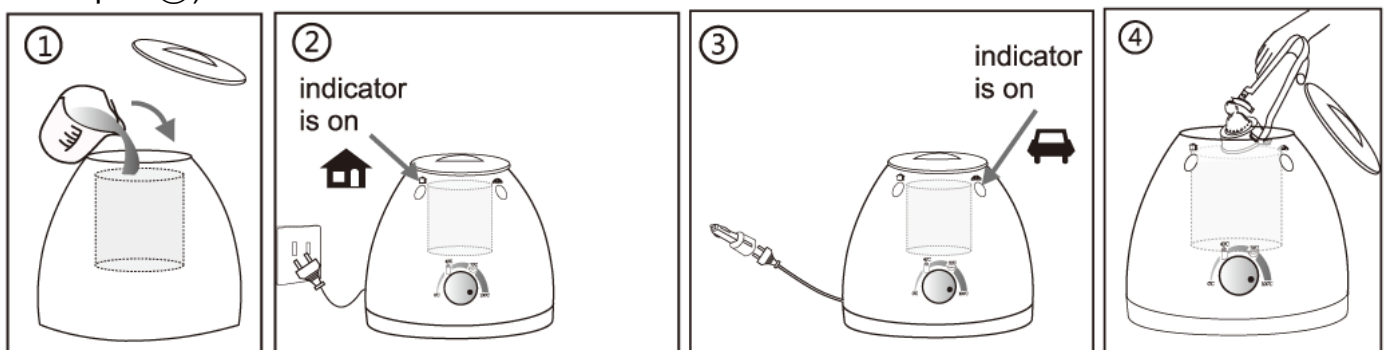
1. Put amount of pour water into the bottle warmer and the water level must be lower than the mouth of heating cup. (figured as pic. ①)
2. Put the food into the bowl (do not fill too much food), and than put it in the bottle warmer and close the cover. (figured as pic. ②)
3. When use it in home, connect the power, and turn the switch to 70°C, the home indicator will be turned on red. (figured as pic. ③)
4. When use it in car, connect the household plug to the traveler adapter, then connect to the cigarette lighter, then turn the switch to 70°C, the auto indicator will be turned on red. (figured as pic. ④)

- The indicator will be turned on and off 4-5 times during heating and then accessing to keep warm. (figured as pic. ⑤)
- Please test the temperature before feeding. (figured as pic. ⑥)



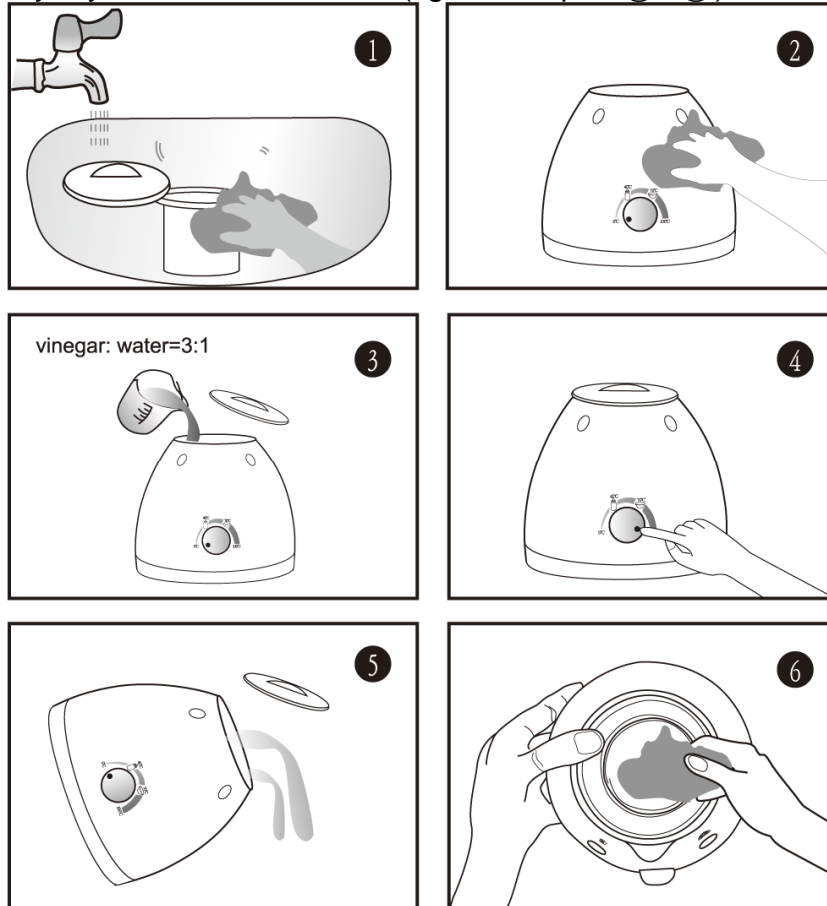
Usage of Sterilization

- Please make sure the bottle warmer is clean before use.
- Put amount of pour water into the bottle warmer and the water level must be lower than the mouth of heating cup. (figured as pic. ①)
- Close the cover, if you use it in home, please connect the power, and turn the switch to 100°C, the home indicator will be turned on. (figured as pic. ②)
- When use it in car, connect the household plug to the traveler adapter, then connect to the cigarette lighter, then turn the switch to 100°C, the auto indicator will be turned on. (figured as pic. ③)
- Please put small feeding appliances into the heating cup after the water boiled. (figured as pic. ④)



CARE AND CLEAN

1. Please wash the cover, food bowl with soft cloth, sponge or special mundificant. (figured as pic. ①)
2. Outer covering & base: wipe them with damp cloth only. (figured as pic. ②)
3. Heating cup (stainless steel): Please make use of pour water to prevent excessive scale. If there is scale already, please fill in the device with 90ml vinegar: pure water=3:1(or citric acid +pure water) .Connect the power and turn the switch to 100°C, the indicator will be on for heating 5 mins, please add some pure water after its cooling, and wash it with a soft cloth. To void electronic parts damaged by water, please pour our water from the bottle side, and finally dry it with a clean cloth. (figured as pic. ③~⑥)



PACKAGE CONTENTS

1. Bottle warmer with detachable bowl 1 pc
2. Car adapter 1 pc
3. Instruction manual 1 pc
4. Warranty card 1pc

Note: DOES NOT CONTAIN HAZARDOUS SUBSTANCES

Subject to change without notice

Extra information you can find on ORION company web-site www.orion.ua

If you have any questions or suggestions, contact us by E-mail support@orion.ua

Manufacturer: Orion China Ltd., 1733 Lianhua St., apt. 506-509, Shanghai, People's Republic of China, 201103

Made to order: Orion Electronics Ltd. (Hungary)

