

ORION®

INSTRUCTION MANUAL

EPILATOR
Model: OE017G

ENGLISH **GB**



Dear Customers, Thank you for buying ORION products!

Welcome to use!

Read the instructions for use carefully before using the appliance and save them for future reference.

IMPORTANT SAFEGUARDS

1. Before connecting the appliance check that the voltage indicated on the type plate corresponds to the mains voltage in your country.
2. This appliance is not intended for use by persons (including children) with reduced physical, sensory or mental capabilities, unless they have been given supervision or instruction concerning use of the appliance by a person responsible for their safety.
3. Do not immerse the appliance in water and other liquids.
4. Do not reach for an appliance that has fallen into water. Unplug it from the wall socket.
5. Do not leave the appliance unattended when it is switched on.
6. Never operate this appliance if it has a damaged cord or plug, if it is not working properly, if it has been dropped or damaged, or dropped into water.
7. Do not use it with wet hands.
8. Switch the appliance off holding plug not cord.
9. Do not allow children to play with the appliance.
10. The appliance is not intended for commercial use.
11. This appliance should only be used according to its approved purpose. Any other use of it is wrong and therefore dangerous. The manufacturer is not responsible for damages resulting from improper or incorrect use of the appliance. Under these conditions, the guarantee will be cancelled.
12. Regular cleaning and proper maintenance ensure optimal results and a long life for your appliance.
13. Only use the appliance in combination with cord and attachments supplied.
14. To prevent damage and injuries, keep the running appliance away from your hair, eyebrows, eyelashes, clothes, threads, cords, brushes, etc
15. Never use the appliance near water (for example, while having a bath, in the pool, etc.).

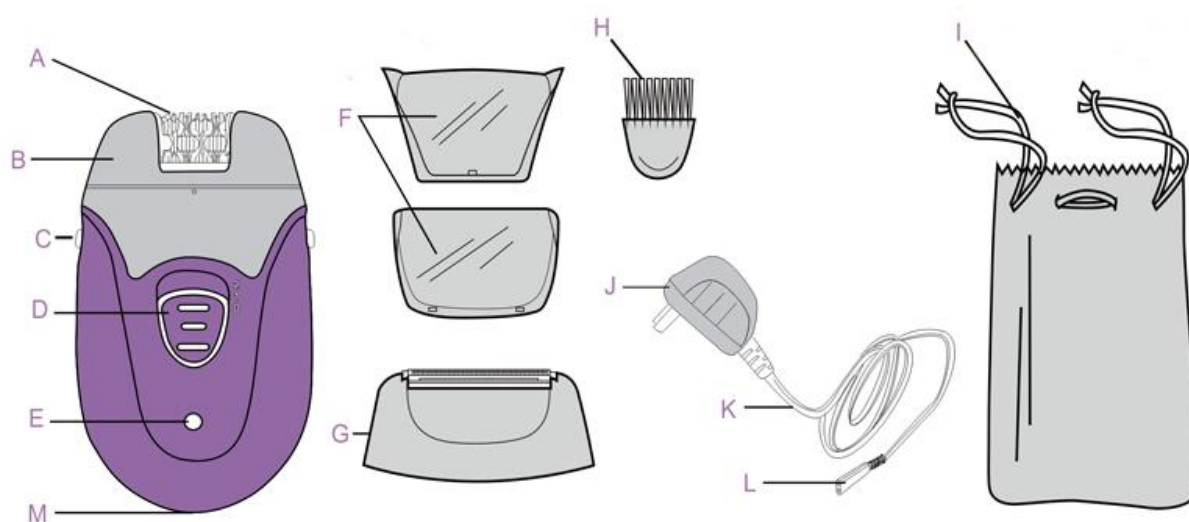
CAUTION!

- Do not use the epilating head on irritated skin or skin with varicose veins, rashes, spots, moles (with hairs) or wounds without consulting your doctor first. People with a reduced immune response or people who suffer from diabetes mellitus, haemophilia or immunodeficiency should also consult their doctor first.
- Using an epilator may cause reddening or irritation of the skin. This is a normal reaction that quickly disappears. However, you should consult your doctor if the irritation has not disappeared within three days.
- The discomfort experienced at first is considerably reduced with repeated use of epilator and the skin adjusts to the process.
- In some cases inflammation of the skin could occur when bacteria penetrate the skin (e.g. when sliding the appliance over the skin). Thorough cleaning of the epilation head before each use will minimize the risk of infection.

USEFUL TIPS

- Epilation is easier and more comfortable when the hair is at the optimum length of 2-5 mm. If hairs are longer, we recommend that you either shave first and epilate the shorter re-growing hairs after 1 or 2 weeks or use the shaver head with trimmer to pre-cut hairs to this ideal length.
- When epilating for the first time, it is advisable to epilate in the evening, so that any possible reddening can disappear over night.
- To relax the skin we recommend applying a moisture cream after epilation.
- As skin may be more sensitive directly after epilation avoid using irritating substances such as deodorants with alcohol.
- Fine hair which re-grows might not grow up to the skin surface the regular use of massage sponges (e.g. after showering) or exfoliation peelings helps to prevent in-growing hair.
- It is a fact that hair re-growth will be reduced by 50% if you remove hairs from the root regularly at least every 4 weeks using your ORION epilator.

PARTS



A.Epilating discs
B.Epilating head
C.Release button for replacement shaver head or epilator head
D.On/Off slide
E.Charging indication
F.Cover

G.Shaving head
H.Brush
I.Pouch
J.Mains plug
K.Mains cord
L.Appliance plug
M.Socket for appliance plug

PREPARATION FOR USE

- Make sure your skin is clean, entirely dry and free from grease. Do not use any cream before you start epilating.
- Epilation is easier just after taking a bath or shower. Make sure your skin is completely dry when you start epilating.
- When you use the appliance for the first time, we advise you to try it out on an area with only light hair growth get accustomed to the epilation process.
- Before starting, make sure that epilation head is clean.

HOW TO EPILATE

1. Push the switch to position (1) or (2) to epilate the hair. (fig. 15) If you feel painful, please push the switch to position (1). However, everybody feels different pain, someone may feel pain even the switch is at the position (1).
2. Stretch the skin with your free hand to make the hairs stand upright. (fig. 2) Stretching the skin properly is particularly important if you have sensitive or delicate skin.
3. Place the epilator perpendicularly onto the skin with the on/off slide pointing in the direction in which you are going to move the appliance.(fig.3)
4. Move the appliance slowly over the skin, against the direction of hair growth. (fig.4)
5. Do not apply pressure.
6. Switch the appliance off by pushing the on/off slide to position OFF. (fig.5)

HOW TO USE THE SHAVING HEAD

1. Replace the head from epilator for shaving, fixing the shaving head onto the body. (fig. 6)
2. Switch the appliance.
3. Use the trimmer first if the hair is longer (fig.7) then use the shaver.
4. Switch the appliance off by pushing the on/off slide to position OFF (Fig.5).

CHARGING

1. Insert the appliance plug into the appliance. (fig.9)
2. Insert the mains plug into the power socket. (fig.10)
3. When you connect the appliance to the mains to charge it, the power symbol lights up. The charging needs 2-2,5 hours.
4. Remove the mains plug from the socket. The epilator can use 20-30 min after fully charged. (fig.11)
5. When the power is completely finished during operation, please connect the charger with main power to continue the shaving or epilating.

CLEANING

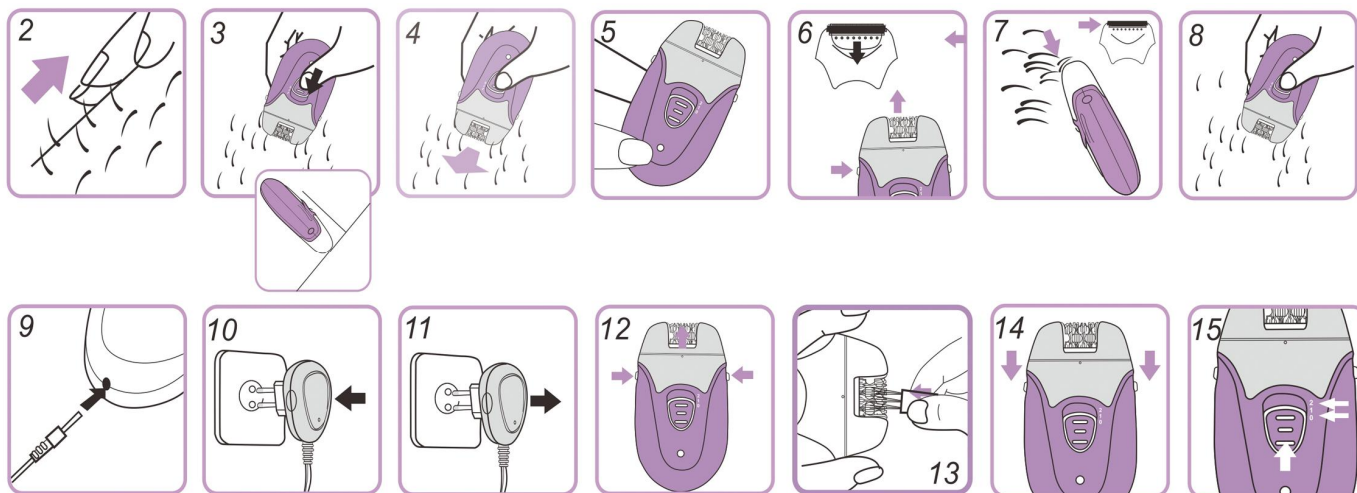
1. Switch the appliance off. (fig. 5)
2. Remove the mains plug from the socket. (fig. 11)
3. Remove the epilating head by pushing the ribbed section with your thumb in the direction of the arrow indicated on the back of the epilating head and then lifting it off the appliance. (fig.12)
4. Clean the epilating discs of the epilating head and all other parts that have become accessible with the brush supplied. (fig. 13)
5. Attach the epilating head by placing it onto the appliance and pushing of the epilating head until it snaps. (fig. 14)

The cleaning process of the shaving head is the same.

Notes:

- For good and smooth epilating or shaving result, it is essential that you clean the epilating head or shaving head after each use.
- Never immerse the appliance in water.

- Do not use aggressive cleaners, scouring agents, petrol, acetone etc. to clean the plastic housing of the appliance.
- Never try to remove the epilating discs from the epilating head.
- Do not exert pressure on the shaving foil to avoid damaging it.



CHARACTERISTICS

- Epilator
- Epilating/shaving head
- Normal/high speed
- Charging time: 2-2,5h
- Running time (cordless use): 20-30min
- Cord and cordless use
- Power supply: AC100-240V~50/60Hz, DC 3.6V 1000mA
- Power: ~4W
- Power cord length: 180 mm
- Battery capacity: 1.2V*2 4/5AA 600mAh
- Motor rpm: 11000r/m
- Electric shock protection class (adapter): II
- Electric shock protection class (epilator): III
- Humidity protection degree: IPX0
- Net/gross weight: 125g/310g
- Product size: 60x30x110mm
- Box size: 173x46x204mm
- Pouch/brush/adaptor attached